

# Your Building Says: It Should be Compact!

# Your Conscience Says: It Should be Environmentally Friendly!

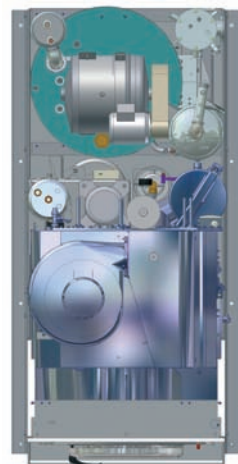
# Your Demands Say: It Should be Reliable!

BÖWE'S

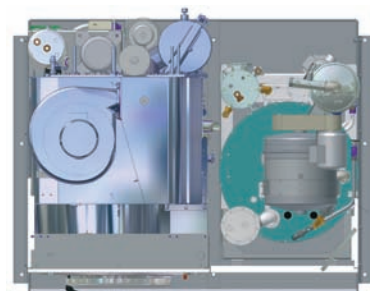
PremiumLine is the answer for you

## Easy Installation

When developing the P12, P15 and P18 we primarily had one issue in mind: the limited space in drycleaning shops. Both machines are available Slimline and Crossline therefore, these machines are available in the correct configuration for your shop. Just what you need for your shop a machine that will fit through your front door with the measurement now below 2.000 mm height.



Slimline - The still is mounted behind the machine



Crossline - Here, the still stands beside the machine



Classic elegant design for your shop

## Compact - even with Additional Equipment

Special requirements and regulations can often only be fulfilled with special equipment like an Emission Free Still Rake Out System or an optional adsorption unit SLIMSORBA. Even with these additional features the machines remain very compact.

## Ready for Various Kinds of Use

The machines are available as a 3-tank-version and also with an optional second Eco-filter and an additional carbon filter. Thus, you are extremely flexible, especially when cleaning different types of garments.

Take care of yourself, your employees and also the environment - with the new P12, P15 and P18 you will easily comply with the strict requirements of environmental regulations.

## Easy Maintenance

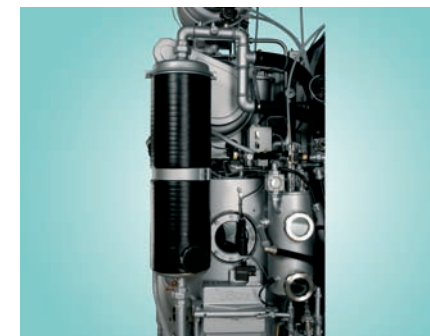
Only a machine that is well maintained is environmentally friendly: easy access openings on the back plate of the machine allow for proper inspection and maintenance. Further, the back plate of BÖWE machines is covered with a unique special coating, so that there will be hardly any lint clusters.

The new water separator is self-cleaning and offers utmost comfort with maintenance by fully automatic maintenance programs. Thus manual work is nearly not required.

Still rake out is performed automatically and emission free, without the need to open the still.

## SLIMSORBA PL

As an option to the standard equipment the fully integrated adsorption unit SLIMSORBA produces garments free of odor and an exceptionally low residual concentration of solvent. If needed, desorption can be started by fully automatic maintenance programs.



The SLIMSORBA surpasses the strictest environmental regulations

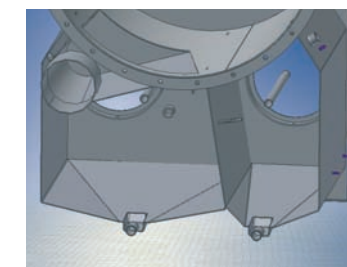
## Eco-Filter and Safety Trough

The efficient Eco-filter works with the proven multiple disc extraction technology. The filter system is monitored via the computer and pressure sensors and can be maintained easily and fully automatically. The robust safety trough is an impermeable barrier protecting the soil and ground water from solvent.



## Self-Cleaning Solvent Tanks

A new tank geometry offers especially sloped tank bottoms and the solvent exhaustion at the lowest point. Together with the modern processing technique for smooth surfaces, the 3 tanks practically do not allow for any deposit anymore.

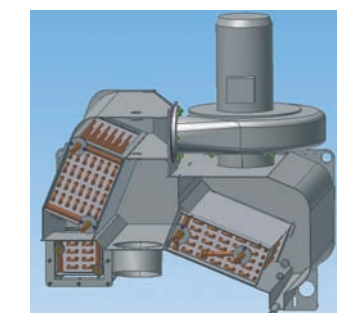


No deposit-Self-Cleaning

## Power Drying System



Results of scientific calculations and air flow simulations have led to the newly designed recovery section. The concept is proven for years already with the BÖWE MultiSolvent<sup>®</sup> machines.



More power in the airflow - less time for drying

In cooperation with the dynamic cage perforation the new recovery section increases the capacity of the PDS even further. Thus, the fast drying is supplemented by the attributes quiet and low-maintenance.

## Variable Speed Drive and EBS<sup>®</sup>

The "compact" machines by BÖWE are equipped with variable speed drive and EBS<sup>®</sup> (Electronic Balancing System). Unbalanced loads are electronically adjusted during extraction, so partial loads maintain excellent cleaning and efficient extraction. The variable speed drive with its speed control provides for smooth cleaning, that can be individually adjusted for all types of garments.

## High-Capacity Control ConfoTronic PL

The ConfoTronic PL offers a variety of possibilities for individual adjustment to various tasks and guarantees a safe, efficient, and variable operation of the machine.

The control can easily be updated by reading from a standard MMC or SD card.

## BÖWE Direct Connect

The P12, P15 and P18 are ready for the BÖWE Direct Connect. With the BÖWE Direct Connect Software there is the possibility to work with the machine from a PC. You can retrieve daily, maintenance and operational reports locally or off-site and analyze them statistically. The system offers you and your service partner the cost effective and time saving remote diagnosis via telephone connection. Cleaning programs can easily be copied, edited, saved and loaded to PC or machine. We call this BÖWE Machine Management.

## The 6th Generation



Great Technology - Compact and Quiet

PremiumLine



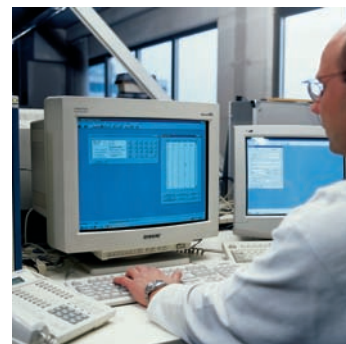
**BÖWE**  
Textile Cleaning



Only one maintenance opening for Lint filter and button trap: The round design eliminates edges for lint to gather



The new, self-cleaning BÖWE water separator



BÖWE Direct Connect - Remote diagnosis is already integrated

BÖWE Textile Cleaning GmbH  
Dr.-Georg-Schaeffler-Str. 22  
D-77815 Bühl  
Germany  
Tel. +49 (0) 7223 80103-0  
Fax +49 (0) 7223 80103-29  
info@boewe-tc.de  
www.boewe-tc.de

**BÖWE**  
Textile Cleaning

## Excellence in Drycleaning: The P12, P15 and P18 in Detail

		P12	P15	P18
<b>Solvent</b>		Perchloroethylene		
<b>Cage</b>				
Loading capacity	kg	12	15	18
Cage volume	l	240	300	360
Cage diameter	mm	820	820	820
Cage depth	mm	460	570	680
Cleaning speed	rpm	40	40	40
Extraction speed, max.	rpm	500	500	500
<b>Tank (filling capacity)</b>				
Tank I	l	110	130	155
Tank II	l	70	85	100
Tank III	l	90	90	90
<b>Still</b>				
Filling volume	l	120	120	120
<b>Extraction filter</b>				
Filter surface	m <sup>2</sup>	2.7	2.7	2.7
Filter volume	l	40	40	40
<b>Cartridge filter (Option)</b>				
Filter volume	l	15	15	15
<b>Machine measurements</b>				
Width (Slim-/Crossline)	mm	1,080/1,840	1,080/1,840	1,080/1,840
Width entry measurement (Slimline)	mm	930	930	930
Depth (Slim-/Crossline)	mm	2,165/1,410	2,165/1,410	2,275/1,540
Height entry measurement	mm	1,995	1,995	1,995
Height installed	mm	2,260	2,260	2,260
<b>Weight*</b>				
Without solvent (Slim-/Crossline)	kg	1,140/1,240	1,240/1,340	1,340/1,440
<b>Floor surface (Slim-/Crossline)</b>	m <sup>2</sup>	2.3/2.5	2.3/2.5	2.4/2.6

\* with SLIMSORBA, 2 extraction filters and 1 cartridge filter

Owing to our commitment to innovation and improvement, we reserve the right to update the above specifications without notice.



Your BÖWE-Partner